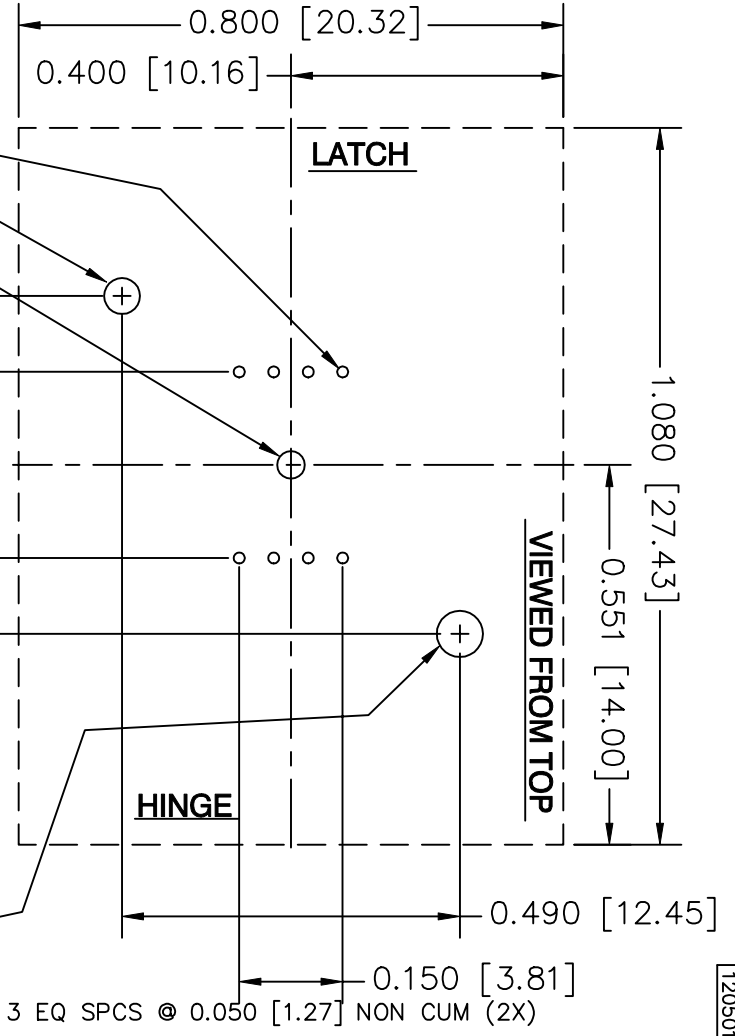
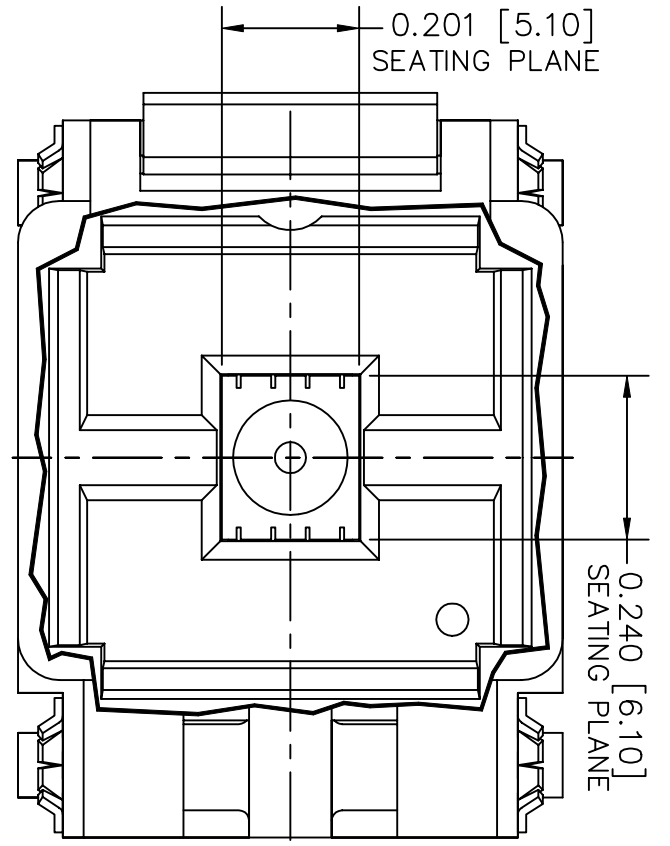
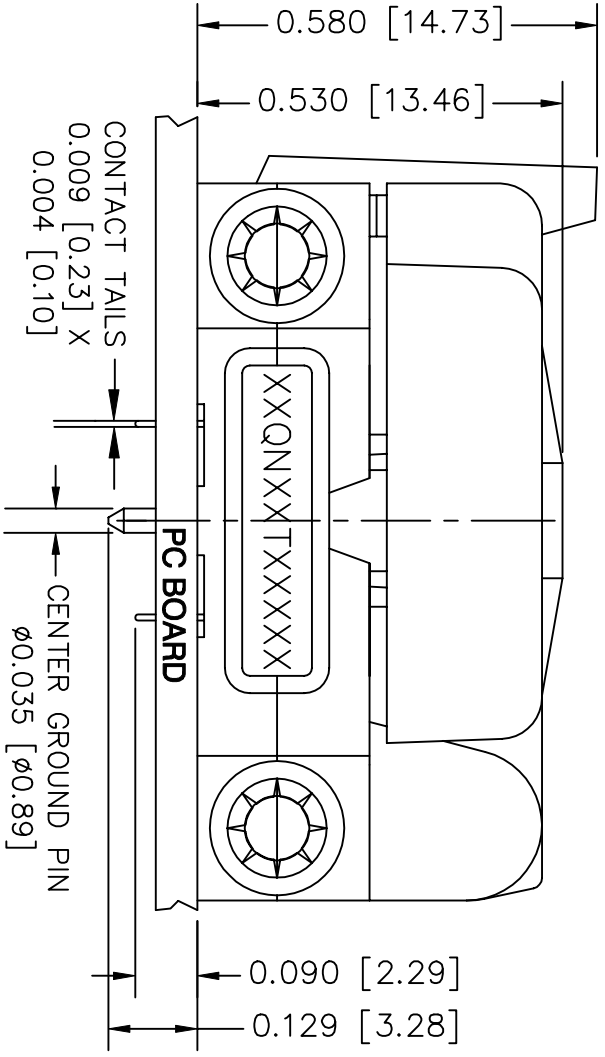


THIS DRAWING IS SUBJECT TO CHANGE WITHOUT NOTICE. PLEASE REQUEST A CURRENT DRAWING WHEN LAYING OUT BOARDS.

PROPRIETARY



UNLESS OTHERWISE SPECIFIED

XXX - ±.003	SURFACE FINISH				
XX - ±.010					
X - ±.020					
ANGLE ± .5					
ALL DIM IN INCHES					
ALL DIM (X) ARE MILLIMETERS					
REMOVE ALL BARRS AND DIMENSIONS FROM THIS DRAWING BEFORE PROCESSING					
HOLE TOLERANCES					
Ø.035 THRU .125	±.004	- .001			
.125 THRU .250	±.005	- .001			
.251 THRU .500	±.006	- .001			
.501 THRU 1.000	±.008	- .002			
1.001 THRU 2.000	±.012	- .001			
2.001 THRU 5.000	±.015	- .001			
5.001 THRU 10.000	±.020	- .001			
10.001 THRU 25.000	±.030	- .001			
25.001 THRU 50.000	±.040	- .001			
50.001 THRU 100.000	±.050	- .001			
100.001 THRU 250.000	±.070	- .001			
250.001 THRU 500.000	±.100	- .001			
500.001 THRU 1000.000	±.150	- .001			
1000.001 THRU 2500.000	±.200	- .001			
2500.001 THRU 5000.000	±.300	- .001			
5000.001 THRU 10000.000	±.500	- .001			

MATERIAL	PROCESSES	SCALE	NONE	DATE	
		DWN	MAA	042401	
	ENGR	CHK			
	APPROV				

SIZE	DWG NO.	REV	SH
C	08QN12116050		
TITLE	VFQN SOCKET 6x5mm, 1.27mm-PITCH, 8-PINS, THRU-HOLE		

PART NUMBER
08QN12116050

FASTRONICS 2601 TEXAS DRIVE IRVING, TX 75062

DATE INT
120501 MAA